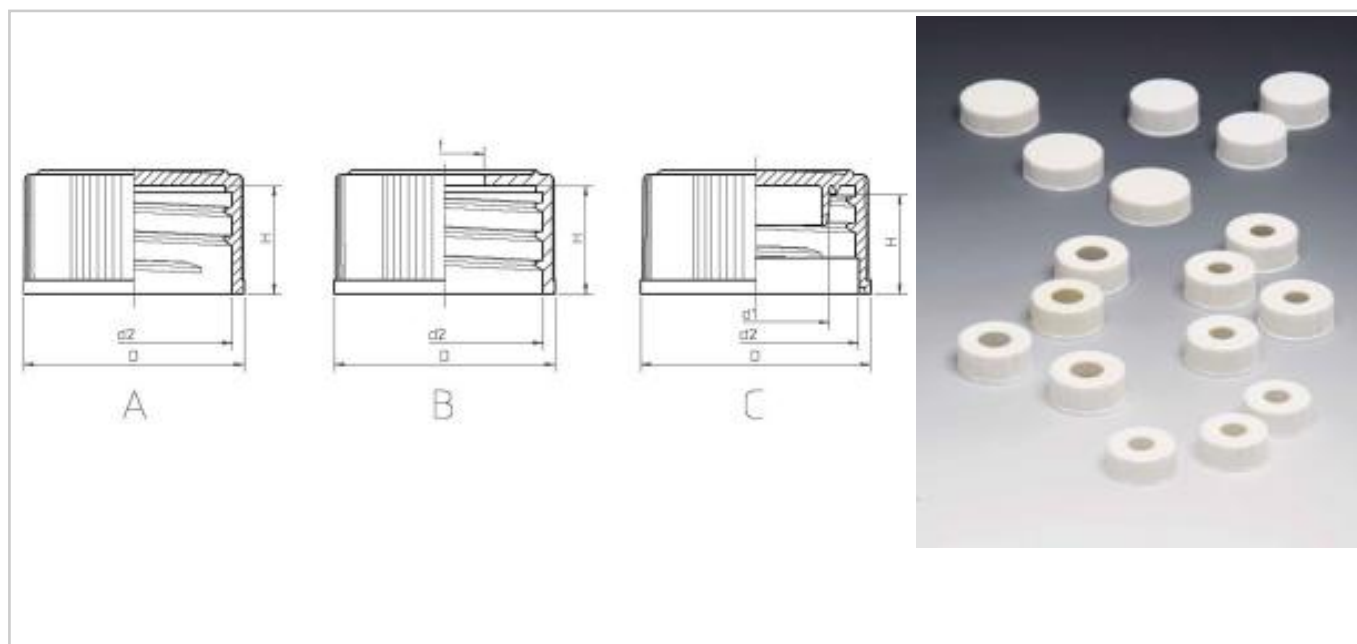


PILFER PROOF CAPS



| rif | Description | Code | Material | D | d1 | d2 | f | H |
|-----|-----------------------------|-------------|----------|------|------|------|------|------|
| A01 | Pilfer proof cap 23-13 | 214251300XX | PP COPO | 28,1 | / | 24,8 | / | 13,0 |
| B01 | Pilfer proof cap 25-13-10,9 | 214251311XX | PP COPO | 28,1 | / | 24,8 | 10,9 | 13,0 |
| B02 | Pilfer proof cap 25-13-13,7 | 214251314XX | PP COPO | 28,1 | / | 24,8 | 13,7 | 13,0 |
| C01 | Pilfer proof cap 25-12-17 | 214251217XX | PP COPO | 28,1 | 17,0 | 24,8 | / | 12,0 |
| A02 | Pilfer proof cap 28-15 | 214281500XX | PP COPO | 31,8 | / | 27,5 | / | 15,0 |
| B03 | Pilfer proof cap 28-15-10,9 | 214281511XX | PP COPO | 31,8 | / | 27,5 | 10,9 | 15,0 |
| B04 | Pilfer proof cap 28-15-13,4 | 214281513XX | PP COPO | 31,8 | / | 27,5 | 13,4 | 15,0 |
| B05 | Pilfer proof cap 28-15-13,7 | 214281514XX | PP COPO | 31,8 | / | 27,5 | 13,7 | 15,0 |
| C02 | Pilfer proof cap 28-14-20 | 214281420XX | PP COPO | 31,8 | 20,3 | 27,5 | / | 13,8 |
| C03 | Pilfer proof cap 28-14-21 | 214281421XX | PP COPO | 31,8 | 21,0 | 27,5 | / | 13,8 |